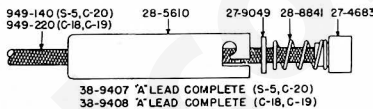
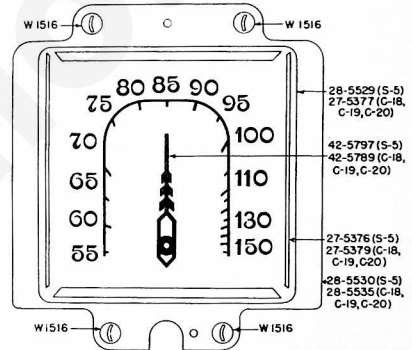
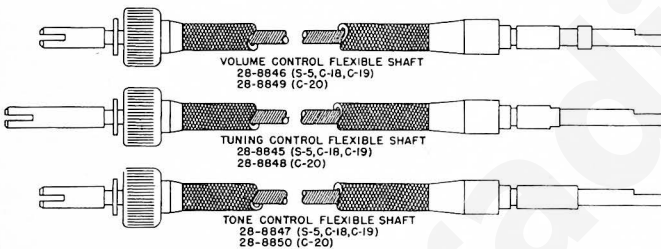
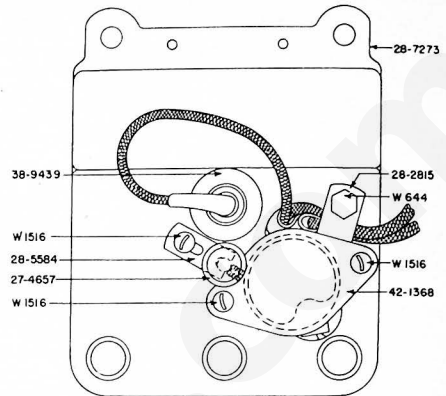
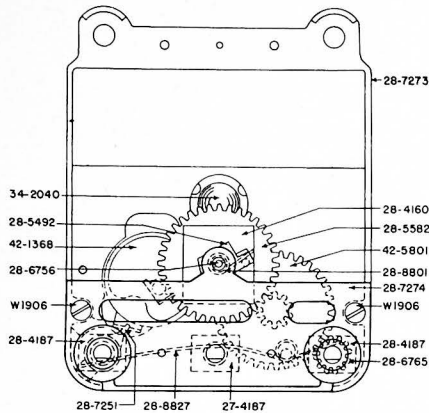


CHRYSLER AND DESOTO CONTROL---MODEL C-1550

Chrysler C-18, C-19 and C-20; DeSoto S-5



27-4661 (S-5)
27-4662 (C-18, C-19)
27-4663 (C-20)
TUNING AND VOLUME
CONTROL KNOB



27-4667 (S-5)
27-4668 (C-18, C-19)
27-4669 (C-20)
TONE CONTROL
KNOB



28-6788 (S-5)
28-6820 (C-18,
C-19, C-20)
GLAND NUT

PARTS LIST AND PRICES (Prices Subject to Change Without Notice)

PART NUMBER	DESCRIPTION	LIST PRICE
W-644	Screw	per 100 \$1.50
W-1516	Screw	per 100 1.30
W-1906	Screw	•
27-4657	Knob	•
27-4661	Tuning & Volume Knob (S-5)	.25
27-4662	Tuning & Volume Knob (C-18, C-19)	.25
27-4663	Tuning & Volume Knob (C-20)	.30
27-4667	Tone Knob (S-5)	.20
27-4668	Tone Knob (C-18, C-19)	.20
27-4669	Tone Knob (C-20)	.25
27-4683	Ferrule	.03
27-5376	Dial (S-5)	•
27-5377	Dial (C-18, C-19, C-20)	•
27-5379	Glass (C-18, C-19, C-20)	.35
27-9049	Washer	.80
28-2815	Clamp	per 100 .01
28-4160	Spring	.01
28-4187	Washer	.01
28-5492	Pointer Stop	•
28-5529	Dial (S-5)	.60
28-5530	Dial Retainer (S-5)	•
28-5535	Glass Retainer (C-18, C-19, C-20)	•
28-5582	Gear	•
28-5584	Plate	•

* Prices not available at this time.

PART NUMBER	DESCRIPTION	LIST PRICE
28-5010	Fuse Housing	.05
28-6756	Pointer Shaft	•
28-6765	Drive Gear	•
28-6788	Gland Nut	.20
28-6820	Gland Nut	•
28-7251	Switch Lever	.15
28-7273	Control Housing	•
28-7274	Cover	•
28-8801	Anti-back Lash Spring	•
28-8827	Spring	•
28-8841	Spring	.01
28-8845	Tuning Shaft (S-5, C-18, C-19)	•
28-8846	Volume Shaft (S-5, C-18, C-19)	•
28-8847	Tone Shaft (S-5, C-18, C-19)	•
28-8848	Tuning Shaft (C-20)	•
28-8849	Volume Shaft (C-20)	•
28-8850	Tone Shaft (C-20)	•
34-2040	Pilot Lamp	.09
38-9407	"A" Lead	•
38-9408	"A" Lead	•
38-9439	Pilot Lamp Assembly	•
42-1368	On-Off Switch	.35
42-5789	Pointer (C-18, C-19, C-20)	.15
42-5797	Pointer (S-5)	•